

Important Notice

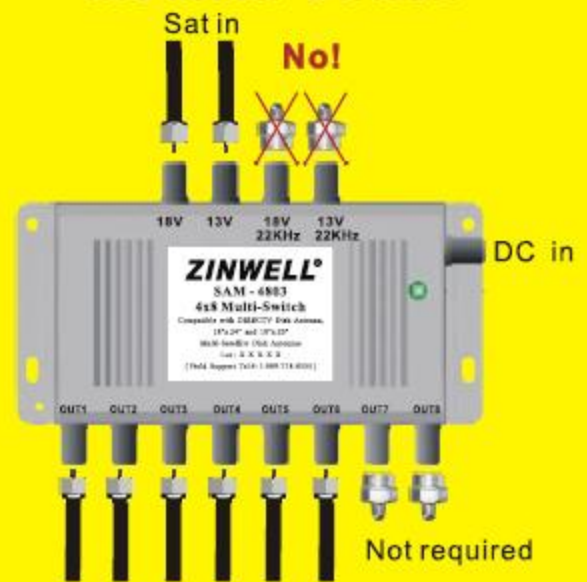
Only a multi-switch (3x4, etc.) with an off-air, UHF/VHF input requires 75 ohm terminators on all un-connected outputs. This is to minimize ghosting on off-air analog TV reception or dropout of off-air digital signals.

A multi-sw with no off-air input (4x4, 4x8, 6x8, etc.) does not require any terminators on the un-connected outputs. ***Under no circumstance an installer may put 75 ohm terminators on any un-connected inputs.*** To do so will cause the satellite receiver's input to short out. This causes system malfunction and the overheating of terminators.

3x4 Multi-Switch



4x8 Multi-Switch



4x4 Multi-Switch



6x8 Multi-Switch

